



**PNEUMATIC CONVEYING SYSTEMS**

**Your best resource for AUTOMATED  
PNEUMATIC TRIM and WASTE REMOVAL  
SOLUTIONS**

AirTrim Inc

1701 Dalton Drive

New Carlisle, Ohio, 45344

888-247-8746

[sales@airtrim.com](mailto:sales@airtrim.com)

[airtrim.com](http://airtrim.com)

# About AirTrim

- AirTrim began by designing and providing pneumatic conveying systems in the paper industry.
- All system designs are based on proven technologies related to specific applications.
- Each application is researched and offered the best method based on your specific application.
- We specialize in more than just one type of system. We specialize in inducer systems, cutter systems, material handling fan systems.
- Extensive experience with various material types and the related conditions to pneumatically convey them.

## Your best resource for AUTOMATED PNEUMATIC TRIM REMOVAL SOLUTIONS

- Fulfillment/digital Printing
- Non-woven
- Package converting
- Paper dust removal and filtration
- Paper manufacturing
- Paper, plastic, film, foil converting
- Paper, tissue, and towel converting
- Pharma and medical
- pPaStic recycling-milk carton, bottles,
- Plastic / Extrusions
- Printing
- PSA label Matrix and trim removal
- Security shredding
- Textile



# Mill Trim Removal Systems



- Winders
- Sheeters
- Laminators
- Extruders
- Continuous or Chopped
- Waste trim return to Pulper



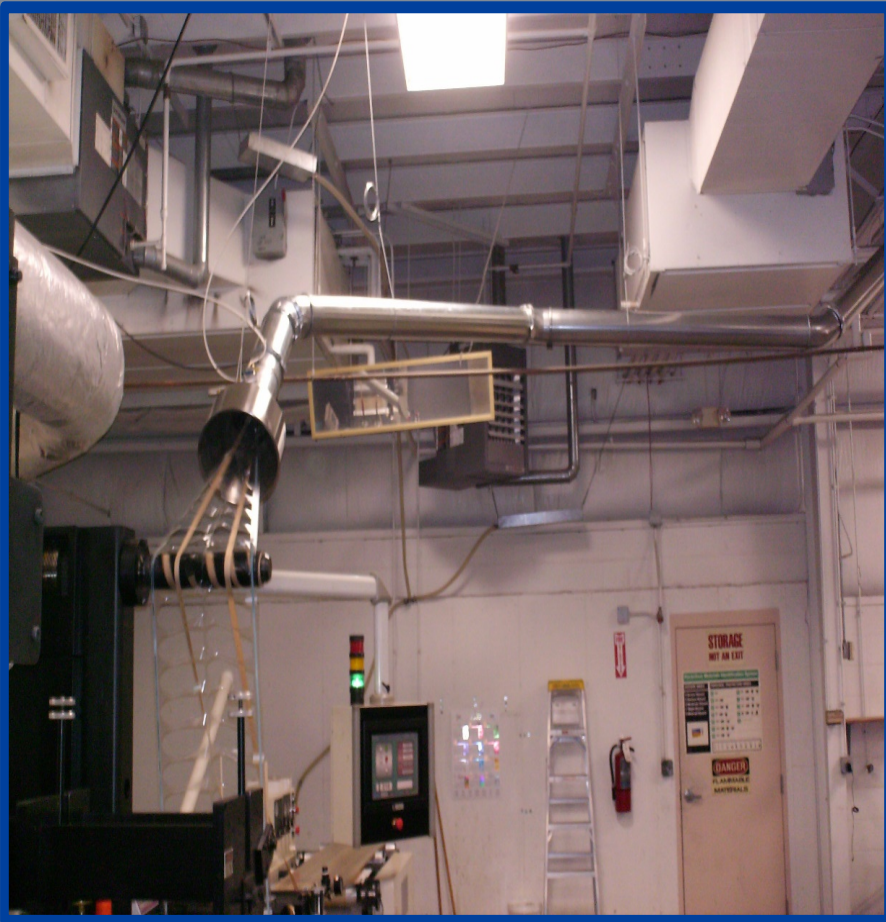
# PSA Label Printing Automated Matrix Removal

## Flexographic

PATENT# 6547913

### PATENTED MATRIX TWISTER

- Automated continuous psa matrix removal eliminates stopping press to manually remove matrix roll
- Ropes' matrix for easy compaction
- 6" to 30" width matrix
- Very low maintenance



# Flexographic - Cutter



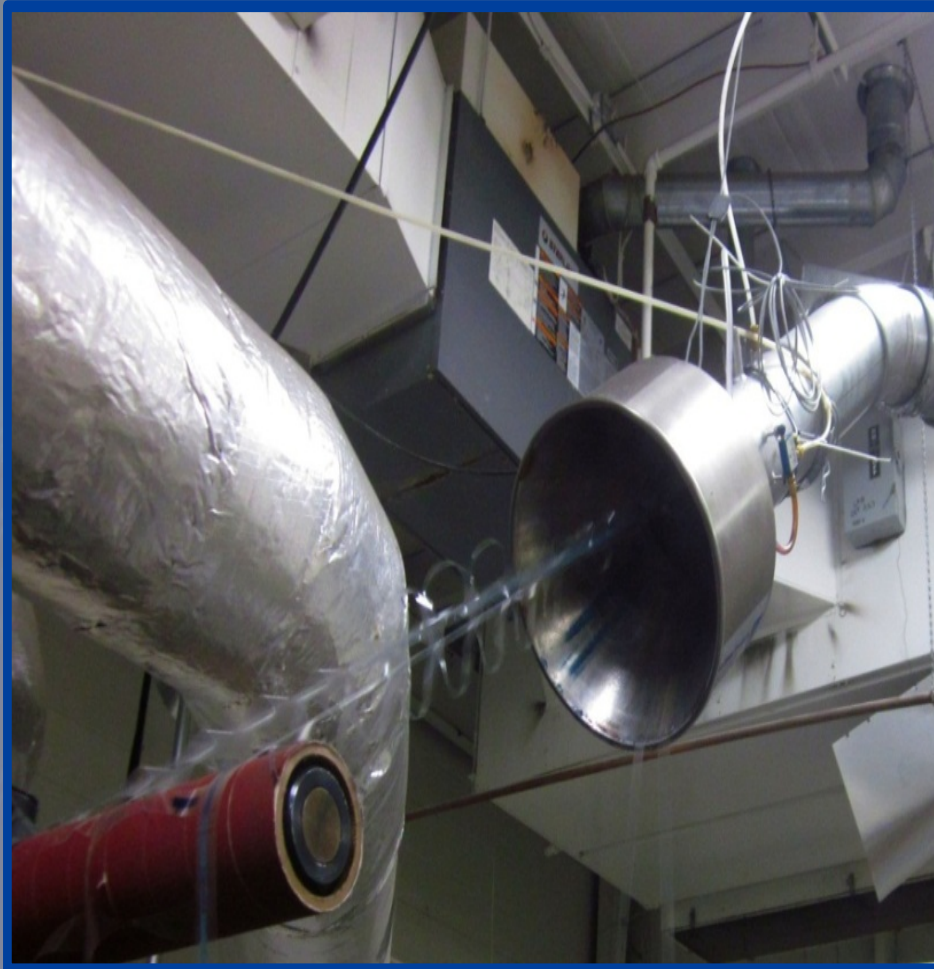
## AIRTRIM CHOPPERS

- PSA materials – matrix, paper, films, plastics
- Reduced waste volume and power consumption



Automated pneumatic trim  
removal system

# Films – Foils – Tapes



CAN BE CONTINUOUS STREAM  
OR CHOPPED System Design to  
Fit Customer Preference

- PSA materials, matrix, liners, films, plastics, foils
- Edge trim or skeleton blanks
- Multiple intakes from one line are possible



# Plastic Recycling

## PATENTED ADJUSTABLE INDUCER / VENTURI

- Environmentally friendly option to open conveyors for plastic
- Jumbo Venturi provides high output for bulky, heavy, odd sized plastic materials
- Economically move product to baler area when required
- Reduces sorting time





# Trim, Waste, & Scrap Conveying Components

## PNEUMATIC CONVEYING FOR MOST MATERIALS

- AirTrim Patented Adjustable Inducers for continuous stream conveying (Patent# 6732987)
- AirTrim Choppers for conveying chopped materials
- Material Handling Fans
- Portable Compact Trim Units
- Air Material Separators
- Dust Removal or Containment
- System Audits



# AirFlex Family

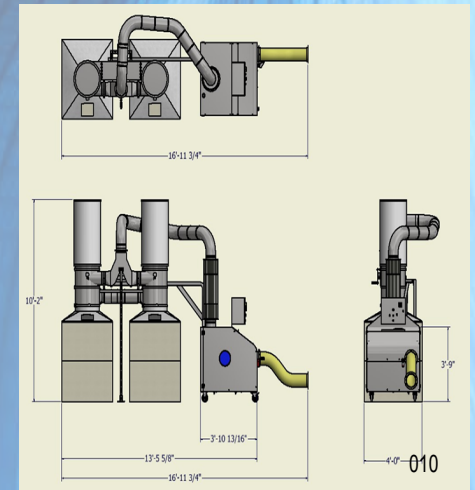
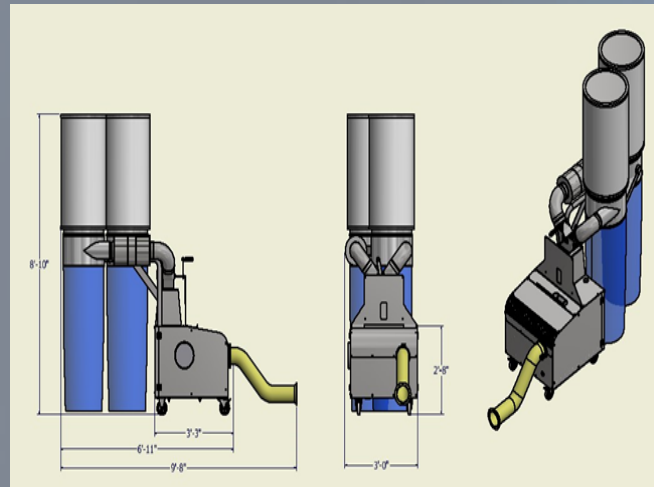
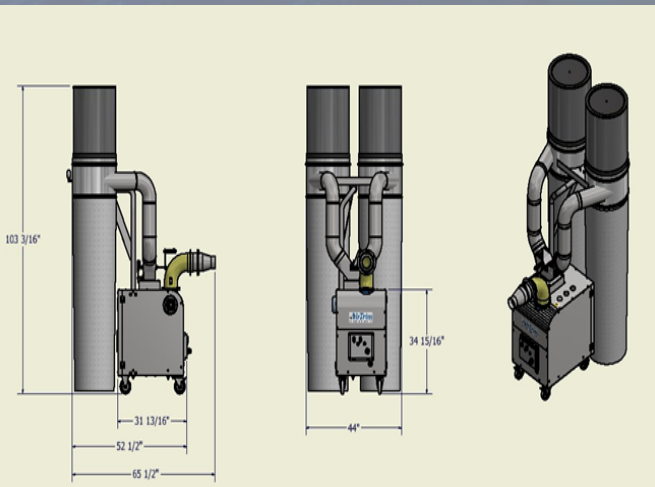
## AirFlex Mini



## AirFlex



## AirFlex XL

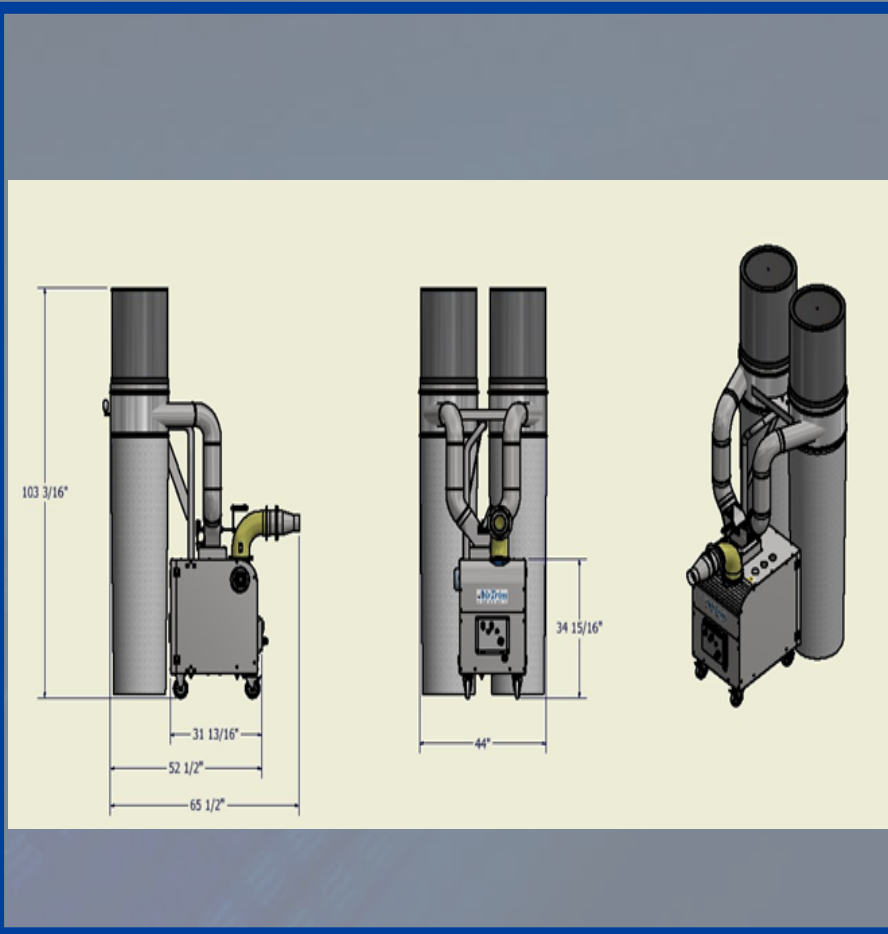




# AirFlex Mini

## PORTABLE TRIM WASTE UNIT WITH CHOPPER

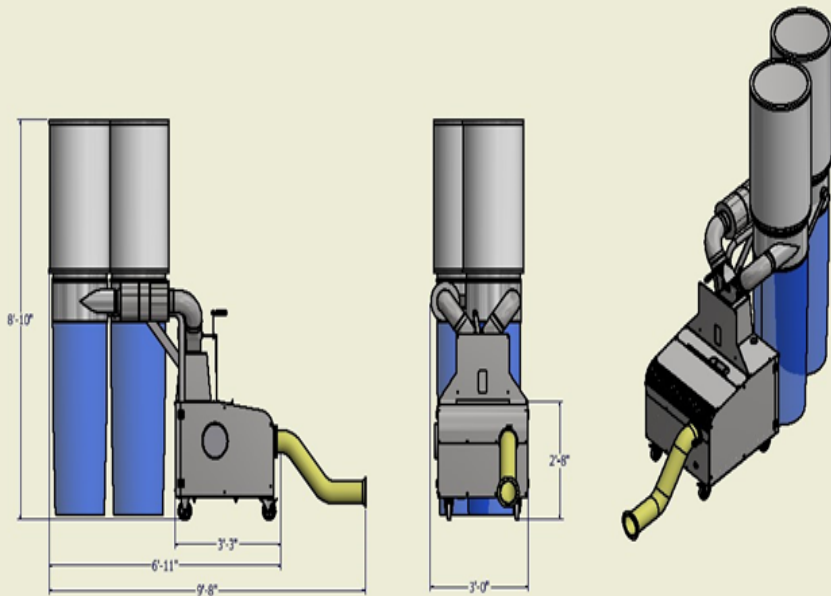
- Paper, Plastic, Films & Foils
- Self-contained Blower, Chopper, Dust Filters & Separator
- Dispenses into (2) bags with Manual Diverter
- Duct kit available to match your equipment
- Standard plastic bag of 90 gallons (12 cu ft.) of trim material ea.



# AirFlex

## PORTABLE TRIM WASTE UNIT WITH CHOPPER

- Paper, Plastic, Films & Foils
- Self-contained Blower, Chopper, Dust Filters & Separator
- Dispenses into (2) bags with Manual Diverter
- Duct kit available to match your equipment
- Standard plastic bag of 71 gallons (9.6 cu ft.) of trim material

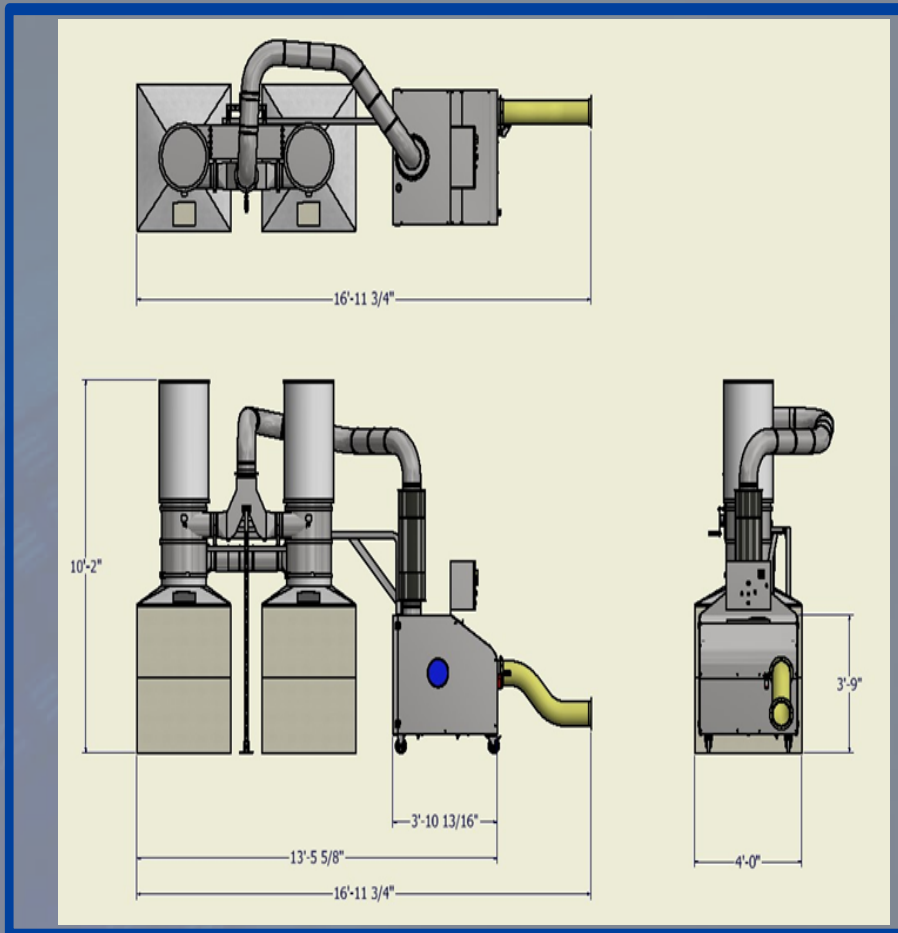




# AirFlex XL

## PORTABLE TRIM WASTE UNIT WITH CHOPPER

- Paper, Plastic, Films & Foils
- Self-contained Blower, Chopper, Dust Filters & Separator
- Dispenses into (2) gaylords (4 ft. x 3 ft 4 in x 4 ft 2 in(H)) with Manual Diverter
- Gaylord Capacity 55 cu. ft.
- Potential multiple machine solution
- Duct kit available to match your equipment



## Plastic Recycling Industry

### Patented Jumbo Venturi

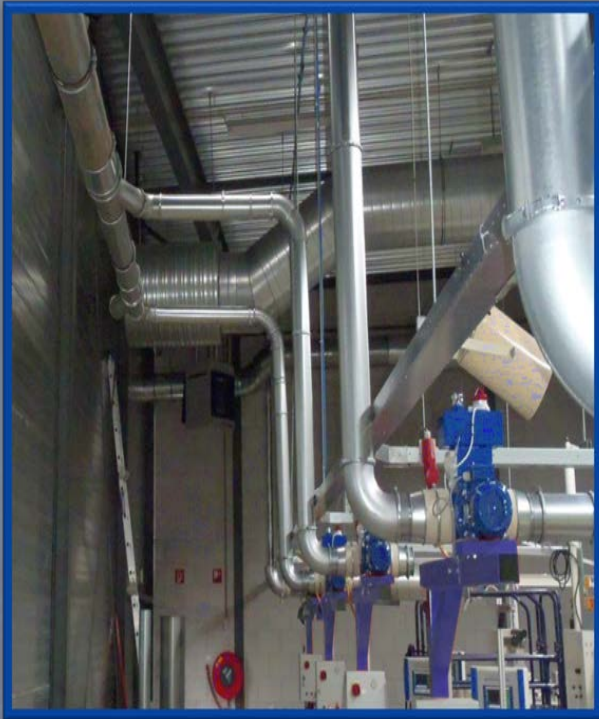


## PROVIDES SUFFICIENT AIR FLOW FOR LARGER PLASTIC ITEMS

- Patented and proven energy saving design
- Designed from 16" to 32" diameters
- Rugged design ensures low maintenance and operating costs for Recycling Plants



# AT Trim Choppers



## BEST IN INDUSTRY

- Cast Iron Housing
- High Carbon Steel Cylindrical Rotor Blades; Easy for maintenance and sharpening
- Scissor/Shear Cut rather than chop
- Lubrication dispensing holes in Rotor to lube from the INSIDE for PSA applications
- 60 DB

# Air / Material Separators

## Steel & Fabric Types

- Rectangular inertial curved back perforated separator – can be designed for expansion
- Designed based on specific airflow and material specs.
- Paper, Plastic, Film, Foil and converting industries
- Also used as a pre-separator in dust handling system to improve efficiency
- Fabric type for indoor use





# Dust Containment Systems



## SYSTEM DUST COLLECTION OR SOURCE CAPTURE

- Dust Removal Systems for all applications
- Fully automated systems to manifold type with dust filter bags
- Outdoor or indoor capabilities

# “Quick Fit” Ductwork Supplier



## BENEFITS

- Clamp together can be easily rerouted
- Easier and faster installation times
- Laser welded = snag free interior surfaces
- Lower leakage, high pressure applicable



# Installation Supervision Services



- Install Supervision
- Start-up assistance
- Remote assistance
- Employee Training
- Engineering Studies
- Troubleshoot existing systems



Separator, Diverter Chute and  
Dust Collector



Ductwork, Inducer, Separator  
faceplate on roof







## Separator and Transition Chute



# <sup>TM</sup>*AirTrim*

PNEUMATIC CONVEYING SYSTEMS



## Fan Platform

# Why Choose AirTrim?

## WE ARE AN INDUSTRY LEADER

- Only one in the industry specializing in inducer systems, chopper systems and material handling fan systems.
- We recommend the best system for YOUR specific application.
- We stand behind our products and services.
- Family owned company since 1989.
- Experienced Engineering and Design team
- provide installation supervision
- We stand behind our products and services.
- We value you as our customer!



# AirTrim Performance Guarantee

- AirTrim guarantees the system will perform to the design specifications outlined in your proposal.
- Choose us for your project installation supervision and you will receive our AirTrim Performance Guarantee.
- We welcome the opportunity to work with you to ensure that your system provides you years of service.

Website: [www.airtrim.com](http://www.airtrim.com)

Email: [sales@airtrim.com](mailto:sales@airtrim.com)

Phone: 1-888-247-8746

Address: 1701 Dalton Dr, New Carlisle, OH 45344

